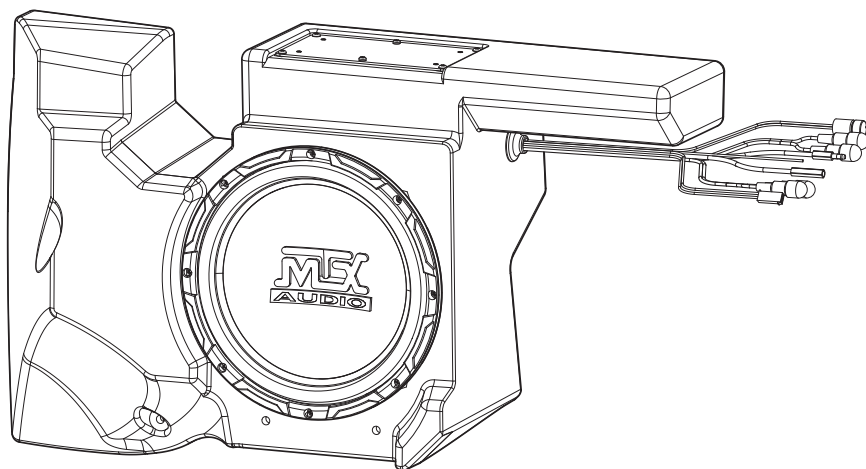




***THUNDER***  
**SPORTS™**



**OWNER'S MANUAL**  
**RZRXP-10**  
**POLARIS® RZR® AMPLIFIED SUBWOOFER ENCLOSURE**

## **IMPORTANT NOTICE**

If you have any questions regarding wire routing in a vehicle, please contact MTX Technical Support at 1-800-225-5689.

When connecting power and ground wires ensure that the red power wire is fused at the point where it is connected to the vehicle's battery. Failure to do so can result in damage to the vehicle if a short circuit develops between the vehicle connection point and the product.

## **PRODUCT INFORMATION**

Model # \_\_\_\_\_

Serial # \_\_\_\_\_

Dealer's Name \_\_\_\_\_

Date of Purchase \_\_\_\_\_

## **IN THE BOX**

- RZXP-10 Amplified Subwoofer Enclosure
- EBC and EBC Extension Wire
- Mounting Hardware
  - (1) 1" T30 Torx Screw
  - (2) 1.5" T30 Torx Screws

## **ADDITIONAL ACCESSORIES NEEDED AND NOT INCLUDED**

MTX recommends using StreetWires PS1K-10 amp kit which includes the following:

- Power and Ground Wire to Run to the Battery
- 20A ATC Fuse Holder and Fuse
- Accessory Connection Wire
- RCA Cables to Connect to the Source

## **INSTALLATION TOOLS**

The following is a list of suggested tools needed for installation:

- Torx - T40
- Torx - T30
- Torx - T25
- 10mm Wrench or Socket
- Razor Knife

## **INTRODUCTION**

Thank you for purchasing the MTX Audio amplified subwoofer enclosure designed for the Polaris® RZR®. The easy to install subwoofer is the perfect direct fit bass solution for your Polaris® RZR®. Congratulations and enjoy the ultimate audio experience with MTX!

## **FITS THE FOLLOWING VEHICLES**

- RZR® XP / XP4 1000 (2014 and Up)
- RZR® XP / XP4 TURBO (2016 and Up)
- RZR® 900 / 900S / 1000S (2015 and Up)
- RZR® 4 900 EPS (2015 and Up)

**NOTE:** Will not fit on vehicles with the added heater accessory.

## **FEATURES**

- 10" All-Weather Amplified Subwoofer Enclosure
- Integrated 250-Watt RMS / 500-Watt Peak Power Amplifier
- Integrated Power and Ground Connections
- Low Level Input with External Gain Control
- Dash Mount Bass Control Knob (Included)
- Mounts Underneath Dashboard - Direct Fit, No Drilling Required

## **SPECIFICATIONS**

- RMS Power Handling: 250-Watts
- Peak Power Handling: 500-Watts
- Frequency Response: 34Hz - 120Hz



## **INSTALLATION**

Step 1 - Release the two quick locks to remove the hood from the vehicle.



Step 2 - Lift up the hood and slide towards the front of the vehicle.



Step 3 - Remove the two (2) T40 screws holding down the top dash cover.



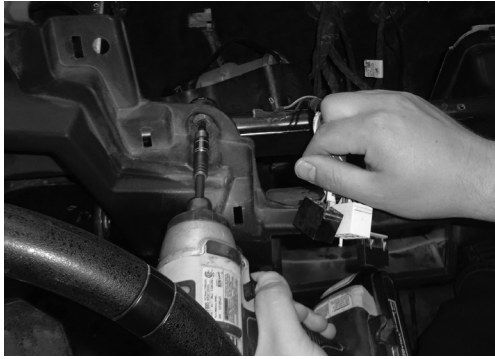
Step 4 - Lift and pull back the top dash cover to release the clips holding it in place. Unplug the gauge and switches making sure not to damage the vehicle and ignition wiring. Make note to remember what connector is associated with each specific switch.



Step 5 - Remove the Torx head screw from the dash pocket brace. After this is removed the plastic dash pocket and bracket can be pulled out of the dash.



Step 6 - Remove the two (2) T40 screws holding the dashboard in place.



Step 7 - Pull the dashboard towards the back of the vehicle. There are locking clips on the right and left side that hold it in place. The dash will pop out.



Step 8 - Carefully lift the dash out of the vehicle. If the locking clips have fallen off, place them back onto the locking tabs on the dash. These are needed to re-assemble the dashboard.



Step 9 - Remove the two (2) 10mm hex bolts that are holding the glove box to the vehicle frame. When the screws are removed the glove box can be lowered down and out of the enclosure.



Step 10 - Remove the five (5) T25 screws holding the glove box together. The glove box will then open like a book.



Step 11 - Cut the "binding" plastic hinge with a razor knife to separate the front and back of the glove box. The back side of the glove box will no longer be used. The front side of the glove box will be attached to the enclosure.



Step 12 - Using the five (5) T25 screws that were removed from the front / back assembly of the glove box, attach the front of the glove box to the RZRXP-10 enclosure. Take care to not strip out the plastic, but tighten it enough so the enclosure and glove box are solidly connected.



Step 13 - The enclosure can now be placed into the vehicle. Place the rectangular protrusion at an angle into the dash area first. The enclosure can then easily slide up into place.





Step 14 - Hold the enclosure up and align the glove box screw holes with the vehicle frame mount. Replace the two (2) 10mm hex bolts and tighten the enclosure in place. It may help to place a supporting object under the enclosure so both hands are free to line up the screw holes with the vehicle frame mount.

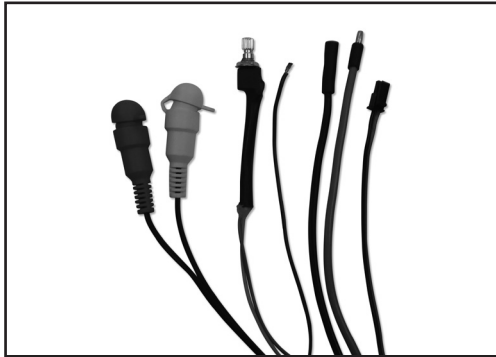


Step 15 - There are three mounting holes on the bottom of the enclosure to screw the base of the enclosure into place. The furthest hole to the right uses the included 1" screw. The other two mounting holes use the 1.5" screws. Tighten the screws down, but take care to not strip them. These screws lock into the plastic foot board.



Step 16 - Now that the enclosure is securely tightened in place, the power and signal wires need to be connected to the battery and signal source.

- The Red wire should be connected directly to the battery's positive terminal and fused with a 30A fuse.
- The Black wire should be directly connected to the battery's negative terminal.
  - If your vehicle is equipped with the Polaris® buss bar kit, the Red and Black wires can be connected to the buss bar under the hood on the firewall. The Red wire will still need to be fused.
- The Blue wire can be connected to the ACC / Key Turn On located on the buss bar of any vehicle.



Step 17 - Connect the RCA inputs to the signal source of your choice

Step 18 - Turn the unit on and check to make sure everything works. Set the gain using the gain pot that is attached to the orange / grey wires. Set the gain to the bass level desired.

Step 19 - The included EBC can be connected and mounted to a desired location to allow easy trim adjustment of the bass level after the gain has been set.

Step 20 - Replace all the parts and screws that have been removed to return the RZR back to its completely assembled state.



For proper performance and safety, MTX recommends installing an inline fuse per the owner’s manual instructions according to the following.

UTV ThunderForm	30A Fuse
-----------------	----------

## **TROUBLESHOOTING**

Problem	Cause	Solution
No LED Indication	No +12V at Remote Connection	Supply +12V to Terminal
	No +12V at Power Connection	Supply +12V to Terminal
	Insufficient Ground Connection	Verify Ground Connection
	Blown Power Fuse	Remove the 6 Torx Screws on the Perimeter of the Amplifier. Carefully Remove the Amplifier to Access the Fuse Holder on the Power Cable. Replace with a 30A Fuse.
Power LED On, No Output	Volume on Source Unit Off	Increase Volume on Source Unit
	Gain Control on Amplifier Off	Turn Up Gain
	Indicator LED Solid Red	Speaker or Amplifier Defective
Output Distorted	Head Unit Volume Set Too High	Lower Head Unit Volume
	Amplifier Gain Set Too High	Lower Amplifier Gain
Bass is Weak	Speakers Wired Out of Phase From the Subwoofer	Wire Speakers with Correct Phase
Blowing Fuses	Excessive Output Levels	Lower the Volume
	Amplifier Defective	Return for Service



**MUD NATION**<sup>®</sup>  
LET'S DO SOMETHING DIRTY<sup>®</sup>

© 2016 Mitek Corporation. All rights reserved. MTX is a trademark of Mitek Corporation. All other trademarks are property of their respective owners. Designed and Engineered in the U.S.A.

Due to continual product development, all specifications are subject to change without notice.

MTX Audio, 4545 East Baseline Rd. Phoenix, AZ 85042 U.S.A. 1-800-225-5689

MTX005491 RevC 9/17 • 21A10545 • AW0015387